

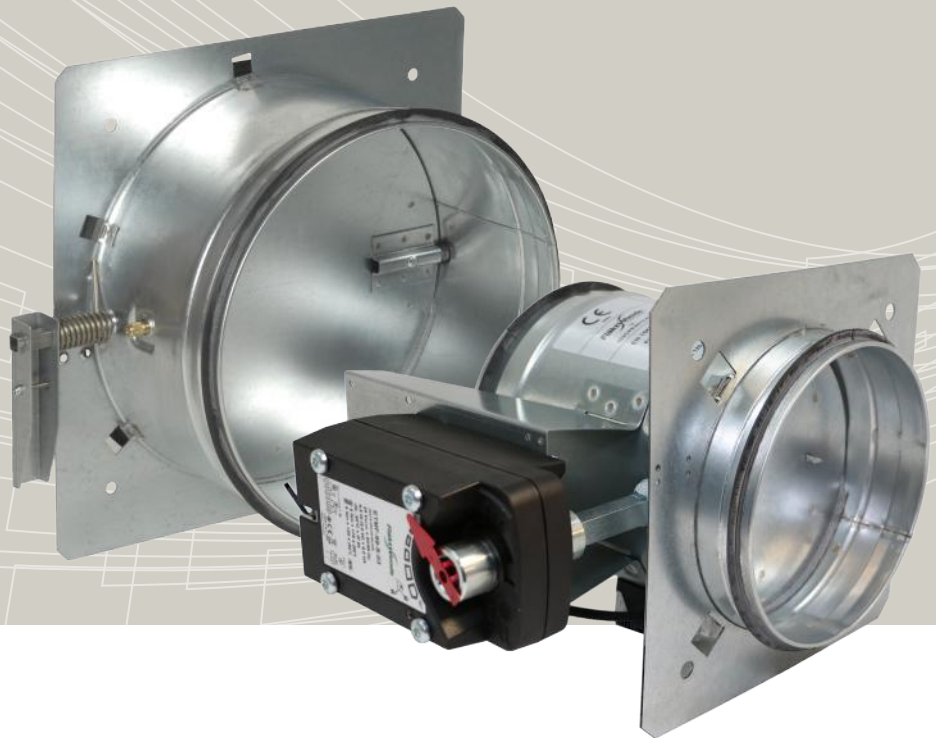
FIRE SAFETY

AIR MANAGEMENT

FIRE DAMPERS

ETPR-E-1 FIRE DAMPER

> TECHNICAL CATALOGUE





Fire and smoke damper ETPR-E-1 is used as a closing device for preventing the spread of fire and smoke in ventilation ducts between fire compartments. Fire dampers are equipped with fusible link and spring mechanism for closing or with electrical actuator.

ETPR-E-1 is CE marked based on product standard EN 15650:2010 and conforms to fire resistance class E 120 / E 60 S when installed in vertical ducting and E 90 / E 60 S in horizontal ducting. Fire damper is tested according to test standard EN 1366-2 and classified according to EN 13501-3. ETPR-E-1 is approved for installation into building elements made of concrete, lightweight concrete, brick or gypsum plate walls. The damper shaft can be installed in horizontal or vertical position. An E-classified fire damper requires fire insulation for ducts in order to comply with the compartmentation requirement (EI).

ETPR-E-1 is available in standard duct sizes 100 to 500 mm in diameter. Hot-galvanized damper casing conforms to EN 1506 and is equipped with a VELODUCT® gasket. Damper casing fulfils the requirements of tightness class C according to EN 1751. ETPR-E-1 fulfils the requirements of smoke leakage classification S according to EN 13501-3.

The standard release temperature of the fusible link is + 70 C. Other temperatures for fusible link are available to special order (+ 50 C, +100 C).

Electrical actuator is available as type 24 V or 230 V. When using control and monitoring system FICO, the actuator has to be always of type 24 V. More information of FICO systems can be found in separate brochure of FICO-128 or FICO-2.

The motorized dampers are tested 10000 times (open/close) and therefore dampers can be used also for daily ventilation purposes. The use of motorized damper enables automatic function testing (by e.g. FICO) and the use of a smoke-detector-based release system. The motor is equipped with built-in micro switches for both open and closed position. In case of a power cut, the damper closes automatically.

PRODUCT DATA

Sizes Ø100 - Ø500

CE marked (EN 15650:2010)

Declaration of Performance

002CPR2013-07-01

Fire class according to EN 13501-3

E 60 (ve i <-> o) S

E 90 (ve i <-> o)

E 60 (ho i <-> o) S

E 120 (ho i <-> o)

The damper casing fulfils the require-

ments of tightness class C according to

EN 1751

The fire damper fulfils the requirements

of tightness class 3 according to EN 1751

ETPR-E-1 fulfils the requirements of BS

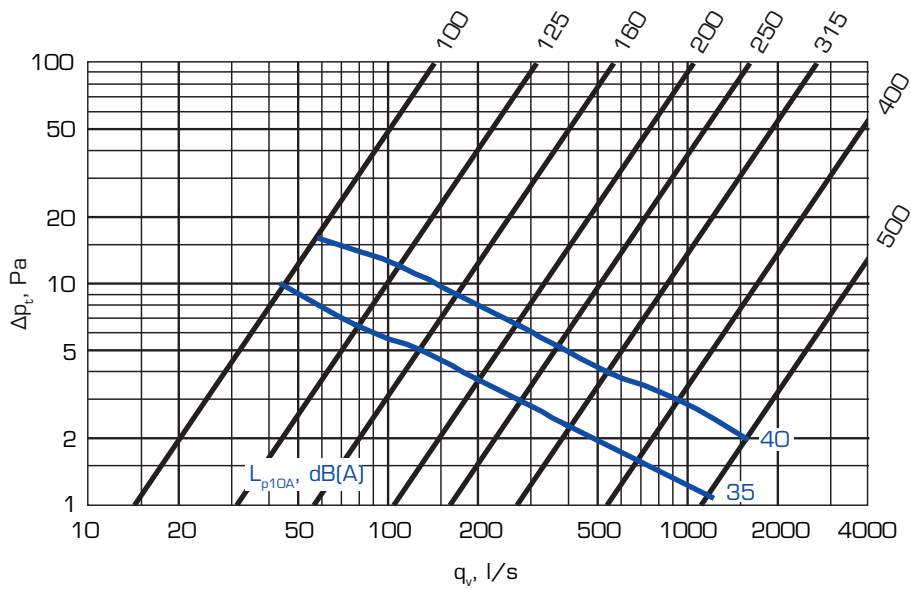
476: Part 20: 1987

PRODUCT CODE EXAMPLE

Fire damper ETPR-E-1-315-03-3

TECHNICAL DATA - PRESSURE DROP, SOUND DATA

PRESSURE DROP AND SOUND PRESSURE LEVEL



SOUND POWER LEVEL CORRECTION BY OCTAVE BANDS

Octave band (Hz)	125	250	500	1000	2000	4000	8000
Correction K_{oct}	16	10	5	0	-7	-13	-18
Tolerance +/-	6	3	3	3	3	3	3

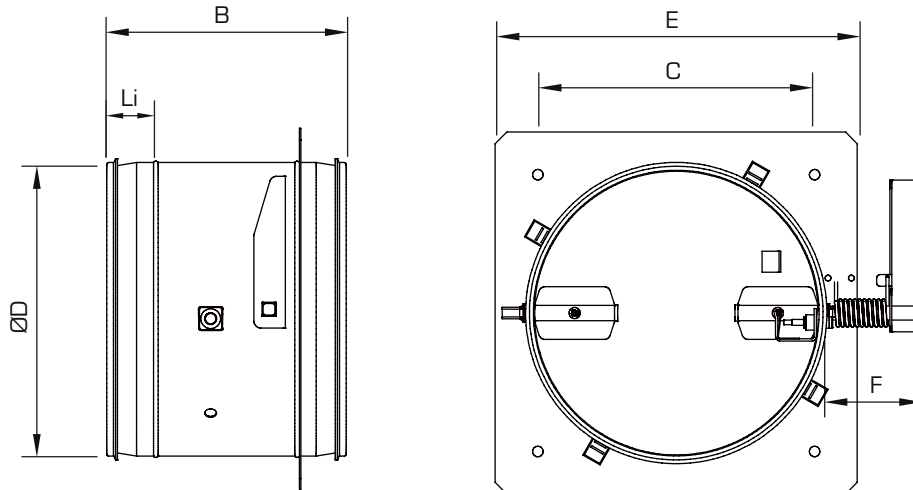
$$L_{woct} = L_{p10A} + K_{oct}$$

DEFINITIONS

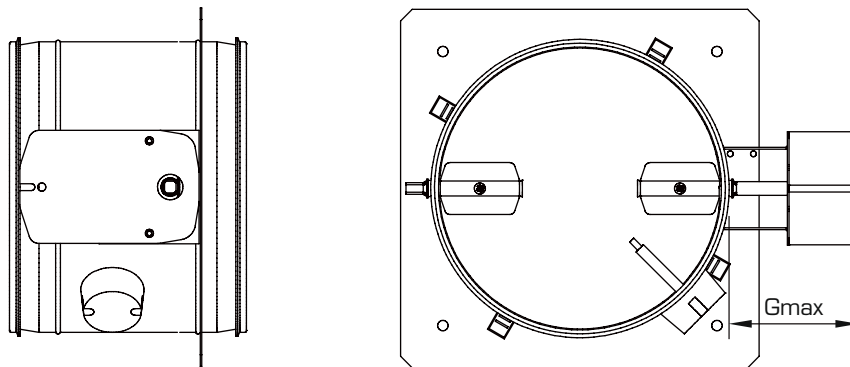
q_v	Air flow	l/s
L_{woct}	Sound power level in kanal	dB
L_{p10A}	Sound pressure level with 4 dB room attenuation (10 m ² sab)	dB(A)
K_{oct}	Correction	dB
Δp_s	Pressure drop	Pa

DIMENSIONS AND WEIGHTS

DAMPER WITH THERMAL FUSE



MOTORIZED DAMPER



DIMENSIONS

Size ØD	D	B	C	E	F	Gmax	Li
100	100	205	129	160	80	125	35
125	125	205	134	185	80	125	35
160	160	205	159	220	80	125	35
200	200	205	203	260	80	130	35
250	250	205	237	310	80	130	40
315	315	205	281	380	80	130	40
400	400	280	390	470	80	130	60
500	500	280	480	570	80	130	60

WEIGHTS

Size ØD	with thermal fuse kg	motorized damper kg
100	1,0	2,6
125	1,4	3,1
160	1,7	3,4
200	2,0	3,7
250	2,6	4,2
315	3,07	5,4
400	5,8	7,4
500	7,7	9,4

PRODUCT CODE AND ACCESSORIES

DESCRIPTION

Fläkt Woods CE marked fire damper ETPR-E-1 which is suitable for installation into building elements of fire class EI 60 / EI 90 / EI 120 made of concrete, lightweight concrete, brick or gypsum plate walls of the same class. The dampers are installed according to the mounting instructions provided by the manufacturer.

PRODUCT CODE

Fire damper **ETPR-E-1-aaa-bb-c**

Size (diameter mm) _____
 100, 125, 160, 200, 250, 315, 400, 500

Actuator _____
 01 = fuse +70° C
 03 = 24V AC/DC and thermal trip
 05 = 230V AC and thermal trip
 08 = auxiliary device microswitch open +70° C
 12 = auxiliary device pneumatic cylinder, long fuse +70° C

Actuator model _____
 0 = without actuator
 3 = FWG

ACCESSORIES

Extension piece **FLD-aaa-1**

Size (diameter mm) _____
 100, 125, 160, 200, 250, 315, 400, 500

Inspection piece **FWD-aaa-1**

Size (diameter mm) _____
 100, 125, 160, 200, 250, 315, 400, 500

Grille **FND-aaaa-1-1**

Size (diameter mm) _____
 0100, 0125, 0160, 0200, 0250, 0315, 0400, 0500

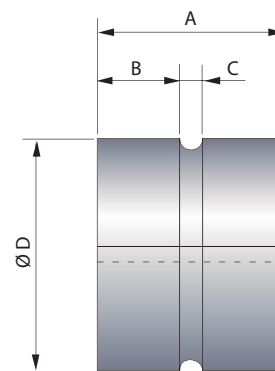
Control system **FICO-128 / FICO-2**

See a separate brochure.

Replacement fuse **ETPR-99-01-c**

Model _____
 4 = fuse 70° C
 6 = long fuse 70° C *)
 7 = fuse 100° C
 *) for electric and gas release

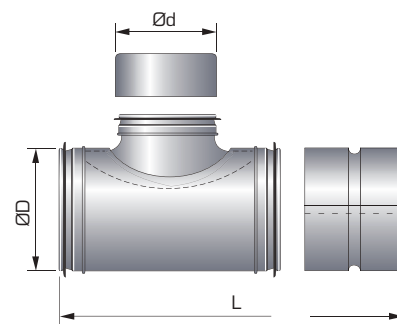
EXTENSION PIECE FLD-AAA-1



Size ØD	A	B	C
100	80	35	10
125	80	35	10
160	80	35	10
200	80	35	10
250	100	45	10
315	100	45	10
400	162	75	12
500	162	75	12

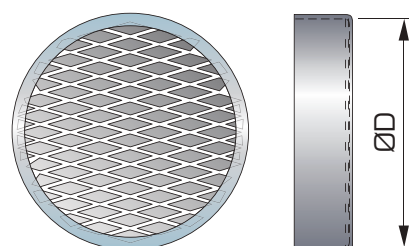
Consists of piece BDEM. Extension 200 mm.

INSPECTION PIECE FWD-AAA-1



FWD length L (consists of pieces BDEG+BDEM+BDET)
 L = 200 mm Ø100 - Ø200
 L = 310 mm Ø250 - Ø315
 L = 430 mm Ø400 - Ø500

GRILLE FND-AAAA-1-1





AUXILIARY DEVICES AND WIRING DIAGRAM FOR DAMPER MOTOR

PNEUMATIC RELEASE

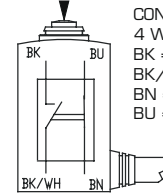
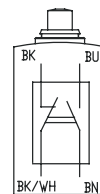
A fire damper equipped with a pressure cylinder closes either when the thermal fuse blows or by means of a pressure impact when the pressure is switched on. The pressure is obtained from HALON / CO₂ or other automatic extinction system network. The required pressure impulse for the cylinder is approximately 200 kPa. The pressure cylinder is connected to the system by a Cu D8 pipe.

MICROSWITCH

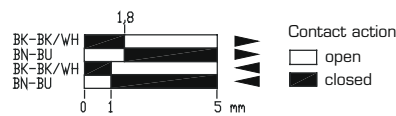
The microswitch indicates blade position, sends an impulse after the blade has been closed to other fire dampers equipped for remote release, gives an alarm in the control system or stops / starts the operation of fans depending on the designed system. The microswitch has no effect on the thermal fuse, nor does it cause the release of the fire damper.

The microswitch can also be installed in contact with pneumatic or electrical release. In that case, it must be specified in order.

Switch position when fire damper is set up (open) = stud pushed in
 Fire damper tripped = blade closed | Fire damper set up = blade open



CONNECTION CABLE PvR 2 m
 4 WIRES 0,75 mm²
 BK = black
 BK/WH = black/white
 BN = brown
 BU = blue



ELECTRICAL PROPERTIES: OPERATING TEMPERATURE -25 ... +70°C
 AC-15: B300 (U_e=230VAC, I_e=1,5A)
 DC-13: R300 (U_e=24VDC, I_e=3A)

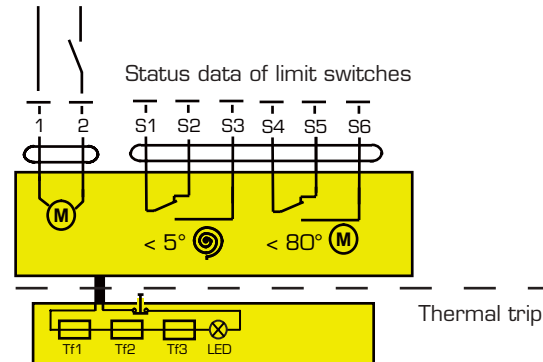
WIRING DIAGRAM FOR DAMPER MOTOR

Power supply

AC 230 V

⊥ ~ AC 24 V

- + DC 24 V



ACTUATOR ELECTRICAL DATA

Fire damper size	Actuator	Voltage	Equipment	Max power hold/drive	Power for wire sizing
100 - 315	ETMF-99-S-03	24V AC/DC	Thermal trip	2,5W/5,5W	8 VA
100 - 315	ETMF-99-S-05	230V AC	Thermal trip	3W/5W	8 VA
400 - 500	ETMF-99-L-03	24V AC/DC	Thermal trip	3,5W/7W	10 VA
400 - 500	ETMF-99-L-05	230V AC	Thermal trip	3,5W/8W	12,5 VA

Storage temperature of fire damper actuator should not exceed +50°C.

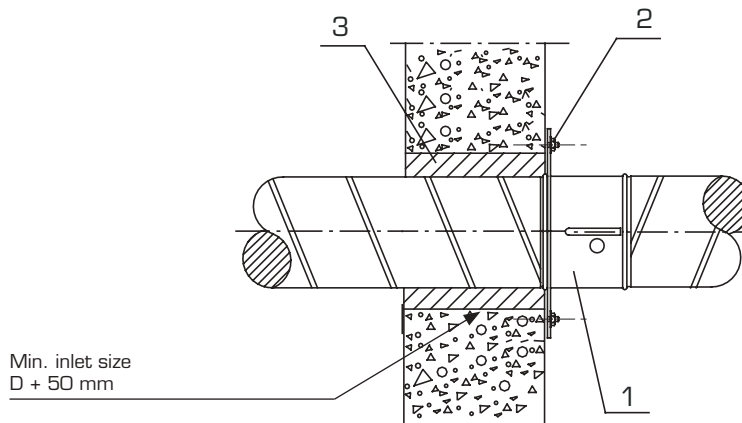
INSTALLATION

To secure the performance and operation of the fire damper, it is necessary to do the installation according to these instructions and local regulations.

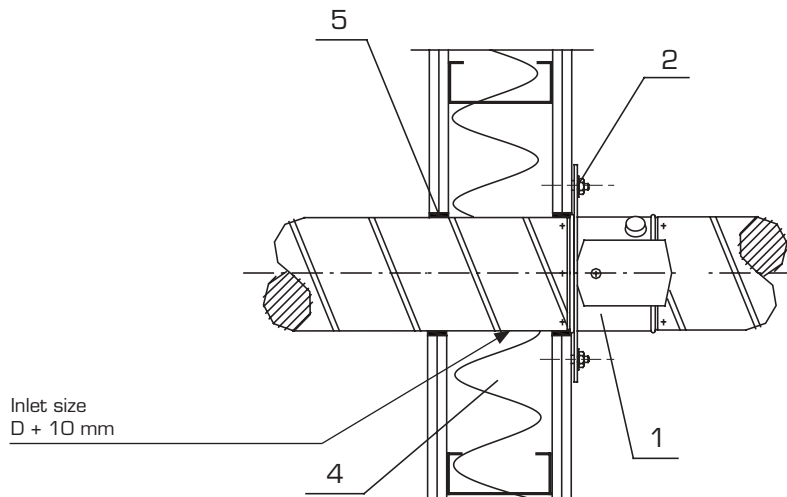
Fire damper ETPR-E-1 can be fitted with either to horizontal or vertical ducting. Max. velocity of air flow through the damper is 15 m/s, and operation is not dependent on the air flow direction.

The body has to be fixed firmly into building element. Damper has a factoryfitted installation plate for mounting. Fire damper is installed into building element according to installation drawings below.

Fire damper has to be fitted into ducting so, that it is easy to inspect and clean.



Installation of fire damper into building elements (walls and intermediate floors) made of concrete or masonry, construction thickness ≥ 110 mm. The blade shaft can be placed in any position.



Installation of fire damper into lightweight plasterboard building elements (gypsum board or similar), wall thickness ≥ 116 mm. The blade shaft can be placed in any position.

- | | |
|---|--|
| <ul style="list-style-type: none"> 1. Fire damper 2. Fastening into concrete or masonry building element:
steel anchor \geq M6, 4 pcs Fastening into lightweight plasterboard building element:
steel anchors suited for boards \geq M6, 4 pcs | <ul style="list-style-type: none"> 3. Grouting, gypsum or concrete based, 25-35 mm thick 4. Mineral wool, min. density 40 kg/m³ 5. Fire resistant mass |
|---|--|

WE BRING **BETTER AIR**[™] TO LIFE

With over a century of innovation and expertise to share with our customers, Fläkt Woods is a global leader in Air Technology products and solutions. We specialize in the design and manufacturing of a wide range of products and solutions for Air Movement, Air Treatment, Air Distribution, Air Management and Air Diffusion with focus on two major benefits – **Air Comfort** and **Fire Safety**. With market presence in 65 countries we are in a unique position to be a local supplier and an international partner in our customer's projects.

Our product brands such as SEMCO[®], eQ[®], eQ Prime[®], JM Aerofoil[®], Econet[®], Veloduct[®], Optivent[®], Optimix[®], Econovent[®] and Clean-vent[®] are well-known and trusted by customers all over the world to deliver high quality and energy efficient solutions.

» To learn more about our offering and get in contact with your nearest sales representative please visit www.flaktwoods.com

WWW.FLAKTWOODS.COM

ETPR-E-1 | 9970EN | 20171101